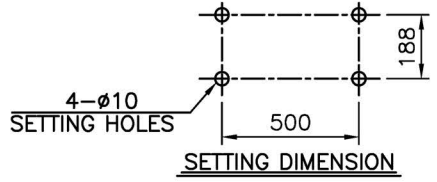
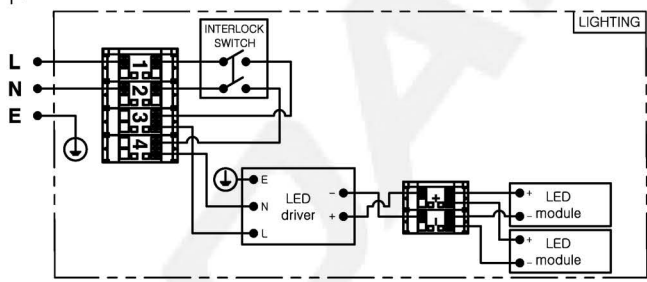
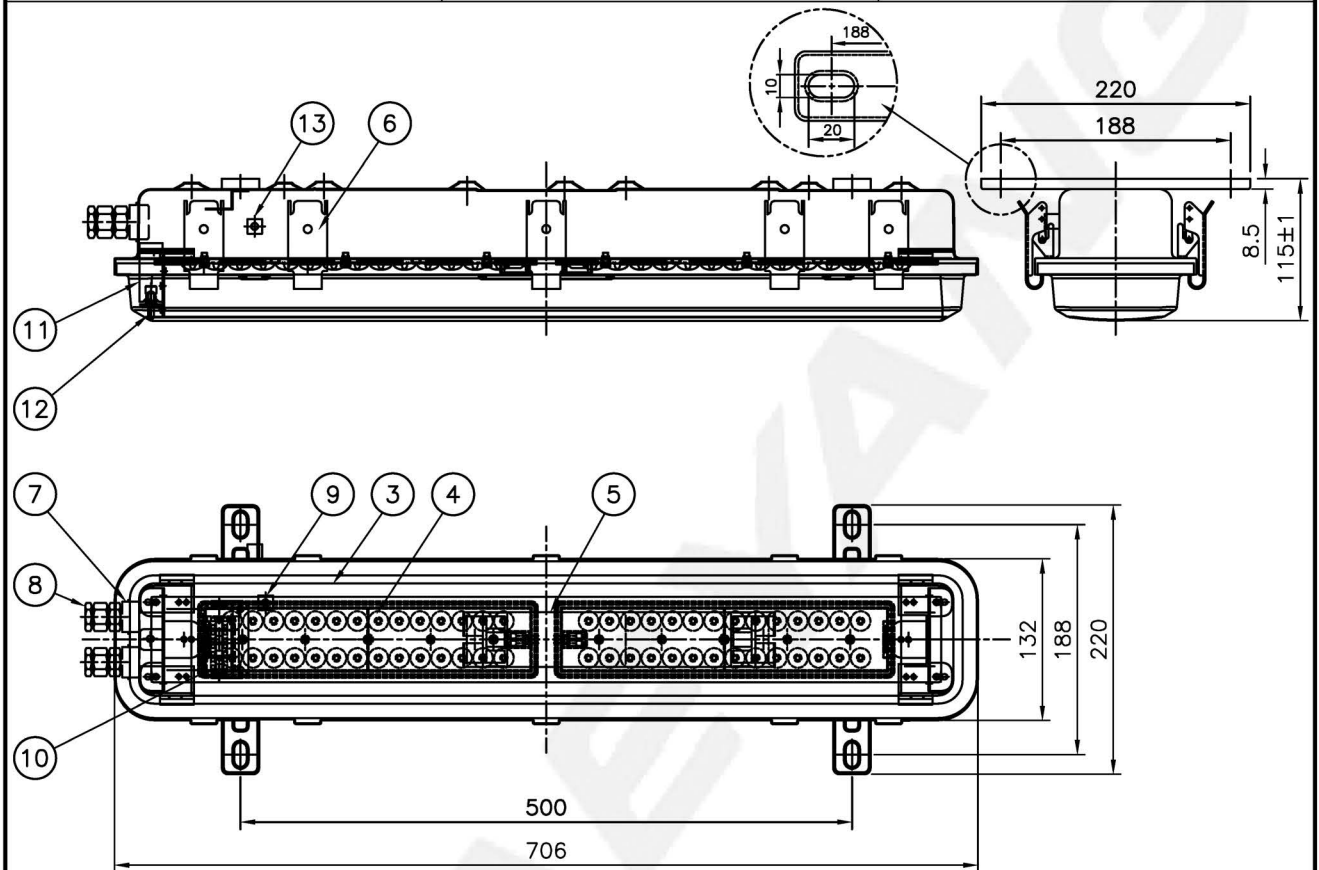


| | | |
|--------------------|-------------------|-----------------|
| CAPACITY | SYMBOL/SERIAL NO. | CIRCUIT DIAGRAM |
| AC220~240V 50/60Hz | | |
| 10W x 2 | | |



| | | | | | | | | | |
|----|--------------------|---------------------|------|------------------------|----|----------------|----------------------|------|------------|
| | | | | | 7 | GLAND HUB(M20) | STAINLESS STEEL 316 | 2 | |
| 13 | OUTSIDE EARTH BOLT | STAINLESS STEEL 316 | 1 | M6 | 6 | LATCH | STAINLESS STEEL 316L | 10 | |
| 12 | INTERLOCK SHAFT | BRASS | 1 | | 5 | LED driver | - | 1 | |
| 11 | INTERLOCK SWITCH | - | 1 | | 4 | LED module | - | 2 | 4,000±300K |
| 10 | TERMINAL BLOCK | - | 1 | CLAMPING 4P | 3 | REFLECTOR | STEEL | 1 | |
| 9 | INSIDE EARTH BOLT | STAINLESS STEEL 316 | 1 | | 2 | GLOBE | POLYCAR-BONATE | 1 | |
| 8 | CABLE GLAND(M20) | BRASS | 2 | OS-E1UF 20 (14~20.5mm) | 1 | BODY | STAINLESS STEEL 316L | 1 | |
| NO | NAME OF PARTS | MATERIAL | Q'TY | REMARKS | NO | NAME OF PARTS | MATERIAL | Q'TY | REMARKS |

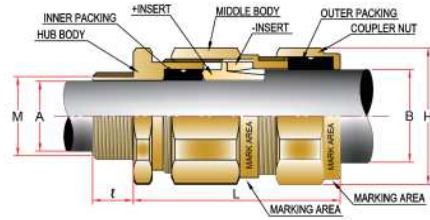
| | | | |
|----------|------------|-------|-------|
| APPROVED | J. W. PARK | UNIT | MM |
| CHECKED | O. J. KWON | SCALE | N/S |
| DRAWING | J. H. LEE | COLOR | N-9.3 |
| DATE | 2021.05.17 | IP | 66/67 |

TITLE:
INCREASED SAFETY LED CEILING LIGHT
 (Ex db eb mb IIC T6 Gb)
 FOR MARINE USE



| | | | |
|-------------|------------------------------|-----------|-------|
| MODEL NO. | EXLED-212ed0-250UWM20UF2HC40 | WEIGHT | 5.6Kg |
| DRAWING NO. | L71370212 | SHEET NO. | - |

OS-E1UF



Application : Any Type of Armoured Cable

- For use with any type of armoured cable
- Outdoor & Indoor use
- Flameproof & Increased Safety
- EMC cable gland. (360 ° contact) - EMC tested
- Reduce the effect of coldflow characteristics
- Double compression

| | |
|--------------------------------|---|
| Design Specification | BS 6121, IEC 62444, EN 50262 |
| Compliance Standard | IEC/EN 60079-0, 1, 7, 31 |
| ATEX Certification | Presafe 17 ATEX 11456X |
| IECEX Certification | IECEX PRE 17.0063X |
| Code of Protection | II2G Ex db IIC Gb, Ex eb IIC Gb, II2D Ex tb IIIC Db |
| Operating Temperature | -60°C ~ 110°C |
| Regulation | Zone 1, 2, 21&22, Gas Group IIA, IIB and IIC |
| Ingress Protection | IP 66 / 67 IP68 available when requested only |
| Applicable Cable Specification | All types of armoured cable |
| Gland Material | Nickel plated brass(standard), Brass(only), Stainless steel(316L), Aluminum |
| Gasket (washer) | Nylon(Standard), PTFE-Teflon(Option) |
| Packing | Silicone |
| Accessories (optional) | Lock nut, Sealing washer, Earth tag, Shroud, Serrated washer |

Order Example

| Part No. | Thread | Material | Accessories |
|------------|--------|---------------------|--|
| OS-E1UF 20 | M20 | Nickel plated brass | Lock nut, Sealing washer, Earth tag, Serrated washer, Shroud |

- Optional Thread Length : ≥15mm (Standard : M16 ~ M63 Length 15mm, M75 Length 20mm, M90 ~ M115 Length 25mm)
- Material for accessories is required

BS 6121 Type of Gland (The suffix for each type of protection)

| | |
|----------------------------|---|
| Single wire armoured | W |
| Wire braided | X |
| Aluminium strip armoured | Y |
| Double steel tape armoured | Z |



To Entry

| Part No. | Entry Thread Size(M) | | | Minimum Thread Length(ℓ) | | | Cable Dia | | Armour Size | | Hexagon Dimensions | Weight (g) | Length (L) |
|-------------|----------------------|--------|--------|--------------------------|-----|--------|-------------|--------------|-------------|------------|--------------------|------------|------------|
| | Metric | NPT | Option | Metric | NPT | Option | Inner 'A' | Outer 'B' | Wire | Braid | | | |
| OS-E1UF 16 | M16 | 1/2" | M20 | 15 | 15 | 15 | 5.0 ~ 11.5 | 9.0 ~ 15.5 | 0.9 ~ 1.25 | 0.05 ~ 0.8 | H25 x P27 | 137 | 56 |
| OS-E1UF 20 | M20 | 1/2" | 3/4" | 15 | 15 | 16 | 7.5 ~ 15.2 | 14.0 ~ 20.5 | 0.9 ~ 1.25 | 0.05 ~ 0.8 | H31 x P34 | 212 | 63 |
| OS-E1UF 25 | M25 | 3/4" | 1" | 15 | 16 | 18 | 13.0 ~ 19.6 | 17.0 ~ 26.0 | 1.25 ~ 1.6 | 0.05 ~ 0.8 | H37 x P40 | 325 | 68 |
| OS-E1UF 32 | M32 | 1" | 1-1/4" | 15 | 18 | 19 | 16.5 ~ 26.2 | 24.0 ~ 33.5 | 1.6 ~ 2.0 | 0.05 ~ 1.2 | H47 x P50 | 570 | 75 |
| OS-E1UF 40 | M40 | 1-1/4" | 1-1/2" | 15 | 19 | 21 | 23.0 ~ 32.3 | 30.0 ~ 41.5 | 1.6 ~ 2.0 | 0.05 ~ 1.2 | H56 x P60 | 876 | 83 |
| OS-E1UF 50 | M50 | 1-1/2" | 2" | 15 | 21 | 24 | 29.0 ~ 41.5 | 38.0 ~ 50.0 | 1.8 ~ 2.5 | 0.05 ~ 1.2 | H70 x P75 | 1445 | 89 |
| OS-E1UF 63 | M63 | 2" | | 15 | 24 | | 39.0 ~ 50.0 | 45.0 ~ 60.0 | 1.8 ~ 2.5 | 0.05 ~ 1.2 | H77 x P82 | 1740 | 98 |
| OS-E1UF 63X | M63 | | 2-1/2" | 15 | | 27 | 46.0 ~ 55.0 | 55.0 ~ 66.0 | 1.8 ~ 2.5 | 0.05 ~ 1.2 | H82 x P88 | 1907 | 98 |
| OS-E1UF 75 | M75 | 2-1/2" | | 20 | 27 | | 52.0 ~ 61.0 | 58.0 ~ 72.0 | 1.8 ~ 2.5 | 0.05 ~ 1.2 | H92 x P100 | 3270 | 109 |
| OS-E1UF 75X | M75 | | 3" | 20 | | 30 | 59.0 ~ 67.0 | 66.1 ~ 79.0 | 1.8 ~ 2.5 | 0.05 ~ 1.2 | H98 x P106 | 2912 | 109 |
| OS-E1UF 90 | M90 | 3" | 3-1/2" | 25 | 30 | 32 | 66.0 ~ 80.0 | 72.0 ~ 90.0 | 1.8 ~ 3.0 | 0.05 ~ 1.6 | H110 x P120 | 4600 | 111 |
| OS-E1UF 100 | M100 | 3-1/2" | 4" | 25 | 32 | 32 | 76.0 ~ 90.5 | 84.0 ~ 101.5 | 1.8 ~ 3.0 | 0.05 ~ 1.6 | H125 x P135 | 5500 | 123 |
| OS-E1UF 115 | M115 | 4" | | 25 | 32 | | 88.0 ~ 102 | 100 ~ 116 | 1.8 ~ 3.0 | 0.05 ~ 1.6 | H135 x P143 | 5500 | 123 |

※ The entry holes need not greater than 0.7mm

※ Up to M75, 1.5 pitch is standard and from M90, 2.0 pitch is standard